

Taurus Bollard 7" Round

SPECIFICATIONS

Luminaire Head

Die-cast aluminum construction with 7 internal diffuse aluminum louvers for excellent uniformity and wide light distribution with minimal direct glare from the light source. Clear acrylic lens shields the lamp and louver assembly. Head may be removed for re-lamping by loosening stainless steel set screws.

Optics/Lens

Clear acrylic lens and aluminum louvers provide efficient light transmission directing the main light down below 75°.

Lower Housing

7" dia. extruded aluminum (.125 wall) with top casting to facilitate luminaire head mounting. Lower housing is mounted to base plate with (3) 3/8"-16 flat-head stainless steel screws.

Electrical

Socket is medium base porcelain 4kv pulse rated. Compact fluorescent socket is GX24q-3(26W/32W) and GX24q-4(42W). HID ballast is core and coil, available in HPF.

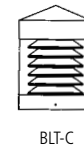
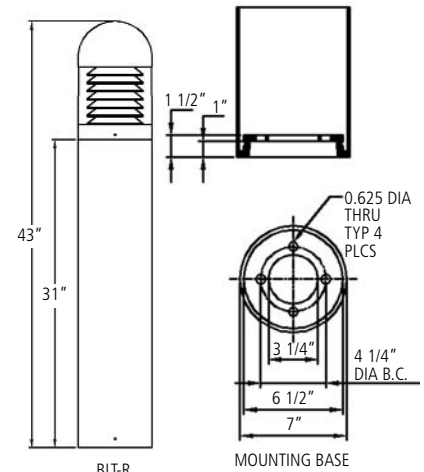
Mounting

Cast aluminum base plate is mounted on (4) 3/8" x 9" + 2 1/2" zinc plated L-hook galvanized steel anchor bolts on a 4 1/4" bolt circle dia. (use factory supplied template for latest dimensions). Base of bollard can be leveled with bottom washers and nuts then tightened-down with top washers and nuts (supplied).

Finish

Standard finish is thermoset powdercoating. Special finishes and colors may be requested by consulting the factory.

U.L. Listed for Wet Locations. IP55 Rated.



PHOTOMETRY

WATTAGE LAMP LUMENS	CLEAR ACRYLIC LENS TYPE V LOUVERS (CA 5 L)									
	50W MH	70W MH	100W MH	50W HPS	70W HPS	100W HPS	26W CFM	32W CFM	42W CFM	100W INCAN
	3400	5500	8500	4000	6400	9500	1800	2200	3200	1750
Distance	Horizontal Foot Candles (Initial)									
2'	8.6	13.9	21.5	10.1	16.2	24.0	4.5	5.6	8.1	4.4
4'	7.1	11.5	17.8	8.4	13.4	19.9	3.8	4.6	6.7	3.7
6'	3.7	6.0	9.2	4.3	6.9	10.3	2.0	2.4	3.5	1.9
8'	1.6	2.5	3.9	1.8	2.9	4.3	0.8	1.0	1.5	0.8
10'	0.6	1.0	1.5	0.7	1.1	1.7	0.3	0.4	0.6	0.3
12'	0.5	0.8	1.2	0.5	0.9	1.3	0.2	0.3	0.4	0.2

ORDERING GUIDE

SERIES	TOP (R) Round (C) Cone	LENS (CA) Clear Acrylic	OPTICS (5C) Type V Louvers	WATT	LAMP (H) MH (S) HPS (F) Fluor. (MT) Multi-Tap	VOLTAGE (120) 120V (208) 208V (240) 240V (277) 277V (347) 347V (MT) Multi-Tap	BALLAST (C) CWA (HX) High Reactance	FINISH (BZ) Bronze (BK) Black (AL) Alum. (WH) White	OPTIONS (SF) Sgl. Fuse (DF) Dbl. Fuse
BLT	()	CA	5L	50	H	()	()	()	
BLT	()	CA	5L	70	H	()	()	()	
BLT	()	CA	5L	100	H	()	()	()	
BLT	()	CA	5L	35	S	(120)	()	()	
BLT	()	CA	5L	50	S	(120) (277)	()	()	
BLT	()	CA	5L	70	S	()	()	()	
BLT	()	CA	5L	26	F	(120) (277) (347)	()	()	
BLT	()	CA	5L	32	F	(120) (277) (347)	()	()	
BLT	()	CA	5L	42	F	(120) (277) (347)	()	()	
BLT	()	CA	5L	100	I	(120)	()	()	

WARNING: Check local electrical codes regarding voltages permitted other than 120V vs National Electric Code, Section 2